

### GENERAL DESCRIPTION / APPLICATIONS



Two way normally open direct acting solenoid valve with spring return.

Suitable for gaseous and liquid media compatible with the (body/seals) material used, vacuum.

Suitable for low differential pressure (zero-differential).

Forged brass, nickel-plated brass or stainless steel body.

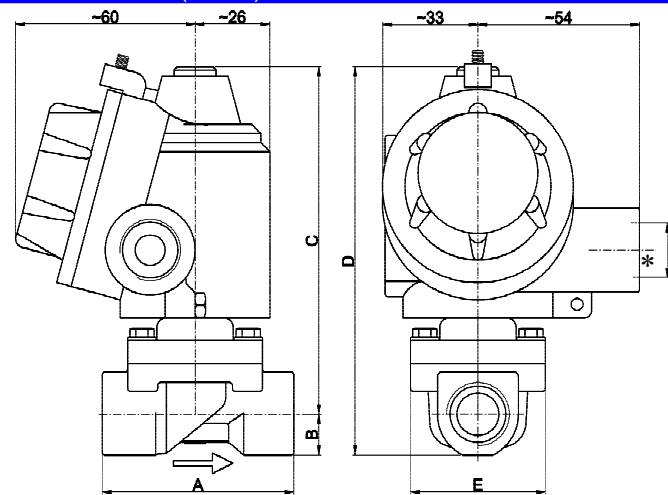
Stainless steel internal parts.

Stainless steel springs.

360° degrees orientable solenoid.

Mountable in any position.

### DIMENSIONS (in mm)



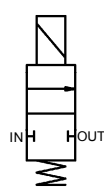
\*\* available sizes for electrical connection:  
1/2" Gk UNI-6125 (standard)  
1/2" NPT (upon request)  
ISO M20x1,5 (upon request)

### ELECTRICAL INFORMATIONS

Light alloy explosion-proof "Ex-d" (EN60079-1) solenoid housing. Electrical and mechanical parts certified according to 2014/34/UE ("ATEX") directive, suitable to control the flow of inert and/or flammable gases or liquids. Internal and external anti-twist ground connecting screws. Inside terminal board suitable for cable up to 2,5 mm<sup>2</sup>.

- cable entry threaded: 1/2" Gk UNI-6125 (standard)  
1/2" NPT, ISO M20x1.5 (available upon request)
- protection class: IP-67
- Ex protection class: Ex-d II 1G/2GDc (IIB o IIC)
- Temperature class: T6 or T5 (t.amb -20 ÷ +40 °C)  
T5 or T4 (t.amb -20 ÷ +60 °C) upon request.  
T5 or T4 (t.amb -60 ÷ +60 °C) upon request
- Coil insulation class: F (155°C) - H (180°C) upon request.
- Winding wire class: H (180°C).
- Duty: Continuous (S.I.) 100% ED
- Power consumption<sub>(2)</sub>: Alternate current 11VA (inrush 28VA).  
Direct current 11W.
- Tolleranza tensione: ± 10% (standard) others available upon request
- Voltage tolerance: ± 10%
- Insulation: >1000 MOhm
- Dielectrical Strength: >2000 V/1'
- Standard voltages: 12, 24, 48, 110, 115, 125, 220, 240 Volt
- DC<sub>(4)</sub> o AC~(50/60Hz): other voltages available upon request.

### OPERATION



L54 - Normally open

- In: N
- Out: OUT
- Coil de-energized: from IN to OUT.
- Coil energized: IN and OUT closed.

### SPECIFICATIONS AND AVAILABLE OPTIONS

MODEL	ORIFICE DIAMETER	NOMINAL MAX.	PRESSURE IN BAR <sub>(3)</sub>			Flow factor kv (liters/min.)	WEIGHT Kg.
			MIN.	DIFFERENTIAL MAX. AC~	MAX. DC=		
L 5 4 a 1 2 E T	12,7	16	0	5	5	35	1
L 5 4 a 1 2 F G	12,7	16	0	5	5	40	1

suffix (options available upon request): <sup>(1)</sup> "LT" (low t.amb. certificate), <sup>(2)</sup> "LC" (low consumption), <sup>(3)</sup> "AP" (High pressure version)- <sup>(4)</sup> "V" spike suppressor.

a	Body material	b	Port size	c	Seals material	d	Protection class
T	Brass.	E	3/8" GAS	T	3/8" NPT	0	Buna N
N	nickel-plated brass	F	1/2" GAS	G	1/2" NPT	1	FPM
I	Stainless steel *					3	PTFE
						6	EPDM
						B	Ex-d IIB
						C	Ex-d IIC

\* available only for 1/2" and 3/4" valve.

Le caratteristiche possono subire variazioni senza preavviso / Characteristics may change without notice.

Rev. W1- ENG 2016