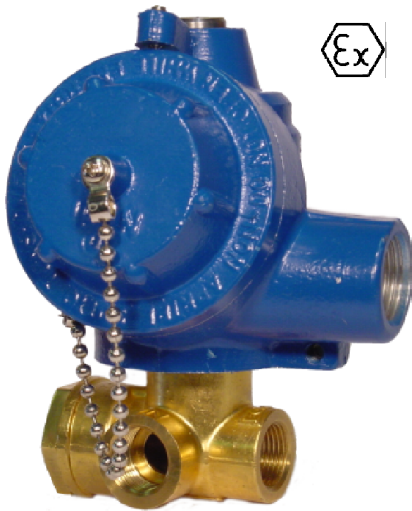


GENERAL DESCRIPTION / APPLICATIONS



Two way internal pilot solenoid valve.

Suitable for gaseous and liquid media compatible with the (body/seals) material used, vacuum.

Forged brass or nickel-plated brass body.

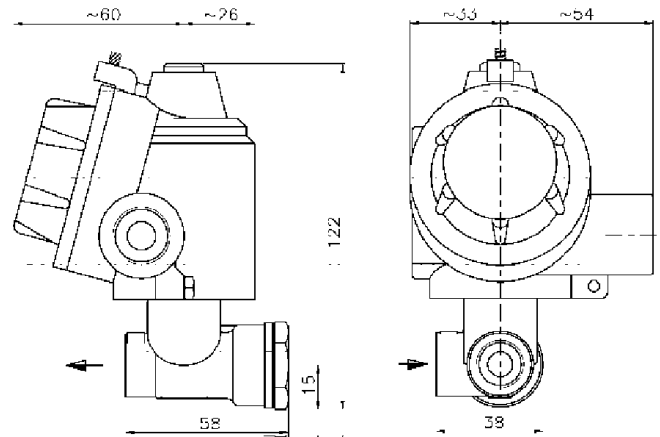
Stainless steel internal parts.

Stainless steel springs.

360° degrees orientable solenoid.

Mountable in any position.

DIMENSIONS (mm)

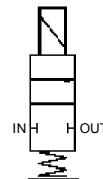


ELECTRICAL INFORMATIONS

Light alloy epoxy painted explosion-proof solenoid housing. Electrical and mechanical parts certified according to 2014/34/UE ("ATEX") directive, suitable to control the flow of flammable and/or inert gases or liquids. Internal and external anti-twist ground connecting screws. Inside terminal board suitable for cable up to 2,5 mm².

cable entry threaded:	1/2" Gk UNI-6125 (standard) 1/2" NPT, ISO M20x1.5 (available upon request)
protection class:	IP-67
Ex protection class:	Ex-d II 1G/2GDc (IIB o IIC)
Temperature class:	T6 or T5 (t.amb -20 ÷ +40 °C) T5 or T4 (t.amb -20 ÷ +55 °C) upon request.
Coil insulation class:	F (155°C) - H (180°C) upon request.
Winding wire class:	H (180°C).
Duty:	Continuous (S.I.) 100% ED
Power consumption:	Alternate current 11VA (inrush 28VA). Direct current 11W.
Tolleranza tensione:	± 10% (standard) others available upon request
Voltage tolerance:	± 10%
Insulation:	>1000 MOhm
Dielectrical Strength:	>2000 V/1'
Standard voltages	12, 24, 48, 110, 115, 125, 220, 240 Volt
DC= o AC~(50/60Hz):	other voltages available upon request.

OPERATION



L20 - Normally closed.

In:	N
Out:	OUT
Coil de-energized:	IN and OUT closed.
Coil energized:	from IN to OUT.

SPECIFICATIONS AND DIMENSIONS

MODEL	ORIFICE DIAMETER mm	PRESSURE IN BAR			Flow factor kv (liters/min.)	WEIGHT Kg.
		NOMINAL MAX.	DIFFERENTIAL MIN.	DIFFERENTIAL MAX. AC~		
L 2 0	8,7	100	0,5	100	?	?

a	b	c	d
Body material	Port size	Seals material	Protection class
T Brass. N Nickel-plated brass.	E 3/8" GAS	2 UREPAN 3 PTFE	B Ex-d IIB C Ex-d IIC