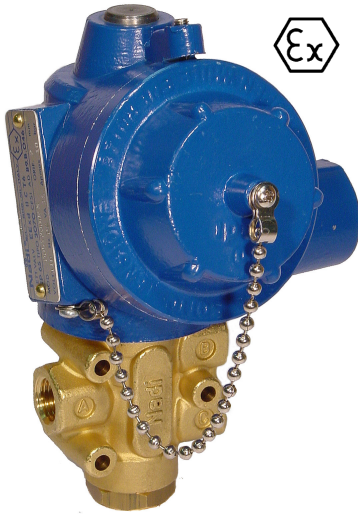


### GENERAL DESCRIPTION / APPLICATIONS



Three way direct acting solenoid valve with spring return.

Suitable for gaseous media compatible with the (body/seals) material used, vacuum.

Not suitable for liquid media.

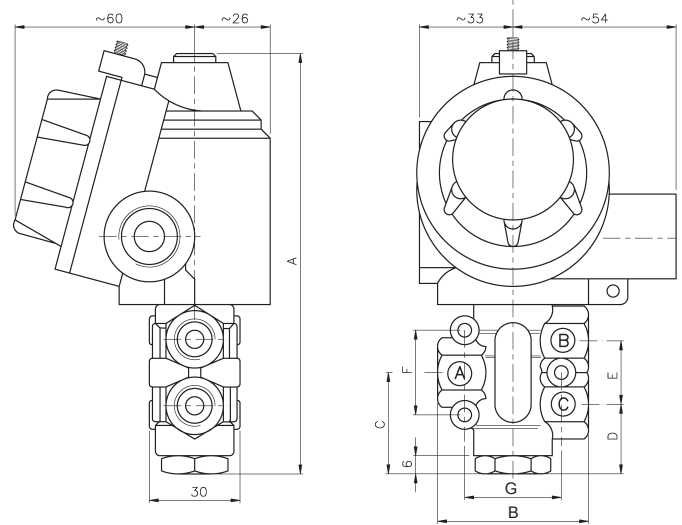
Forged brass, nickel-plated brass or stainless steel body.

Stainless steel internal parts.

Stainless steel springs.

360° degrees orientable solenoid.

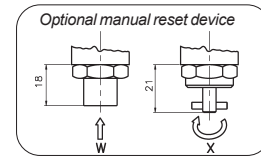
Mountable in any position.



### ELECTRICAL INFORMATION

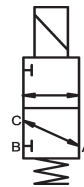
Light alloy explosion-proof "Ex-d" (EN60079-1) solenoid housing. Electrical and mechanical parts certified according to 2014/34/UE ("ATEX") directive, suitable to control the flow of inert and/or flammable gases or liquids. Internal and external anti-twist ground connecting screws. Inside terminal board suitable for cable up to 2,5 mm<sup>2</sup>.

cable entry threaded:	1/2" Gk UNI-6125 (standard) 1/2" NPT, ISO M20x1.5 (available upon request)
protection class:	IP-67
Ex protection class:	Ex-d II 1G/2GDc (IIB o IIC)
Temperature class:	T6 or T5 (t.amb -20 ÷ +40 °C) T5 or T4 (t.amb -20 ÷ +60 °C) upon request. T5 or T4 (t.amb -60 ÷ +60 °C) upon request <sup>(1)</sup> F (155°C) - H (180°C) upon request.
Coil insulation class:	H (180°C).
Winding wire class:	Continuous (S.I.) 100% ED
Duty:	Alternate current* 11W. Direct current 11W.
Power consumption <sub>(2)</sub> :	± 10% (standard) others available upon request
Tolleranza tensione:	± 10%
Voltage tolerance:	± 10%
Insulation:	>1000 MOhm
Dielectrical Strength:	>2000 V/1'
Standard voltages	12, 24, 48, 110, 115, 125, 220, 240 Volt
DC = <sub>(3)</sub> o AC ~ (50/60Hz):	other voltages available upon request.



### OPERATION

C28 / C38 - Universal



In: A, B or C  
 Out: A, B or C  
 Vent: A, B or C  
 Coil de-energized: port B closed. port A and C open.  
 Coil energized: port C closed. port A and B open.

\* Alternate current operation (Vac~) is performed using a direct current coil fitted with an internal rectifier (Nadi coil type B6/R).

### SPECIFICATIONS AND DIMENSIONS

MODEL	ORIFICE DIAMETER mm	PRESSURE IN BAR			Flow factor kv (liters/min.')	WEIGHT Kg.	DIMENSION (millimeters)						
		NOMINAL MAX.	DIFFERENTIAL				A	B	C	D	E	F	G
C 2 8	a 6 0 C	10	0	10	9	0,9	138,5	50	33,5	23	21	28	32
C 2 8	6 0 D	10	0	10	9	0,9	138,5	50	33,5	23	21	28	32
C 3 8	0 9 E	10	0	10	16	1,2	157,5	60	43	28	30	40	40
C 3 8	0 9 T	10	0	10	16	1,2	157,5	60	43	28	30	40	40
C 3 8	0 9 F	10	0	10	16	1,2	157,5	60	43	28	30	40	40
C 3 8	0 9 G	10	0	10	16	1,2	157,5	60	43	28	30	40	40

suffix (options available upon request): <sup>(1)</sup> "LT" (low t.amb. certificate), <sup>(2)</sup> "AP" (High pressure version), <sup>(3)</sup> "V" spike suppressor.

a	Body material	b	Port size	c	Seals material	d	Protection class	e	Optional feature
T	Brass.	C	1/4" GAS	D	1/4" NPT	0	Buna N	B	Manual operator
N	Nickel-plated brass.	E	3/8" GAS	T	3/8" NPT	1	FPM	X	stable
I	Stainless steel.	F	1/2" GAS	G	1/2" NPT	7	HNBR	W	instable
								C	Ex-d IIC
								B	Ex-d IIB

Rev. W1 - ENG 2016

Le caratteristiche possono subire variazioni senza preavviso / Characteristics may change without notice.